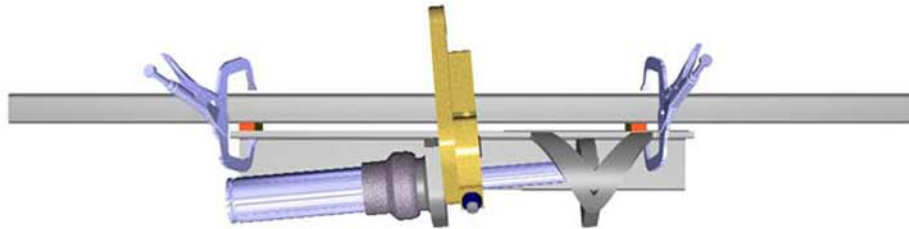
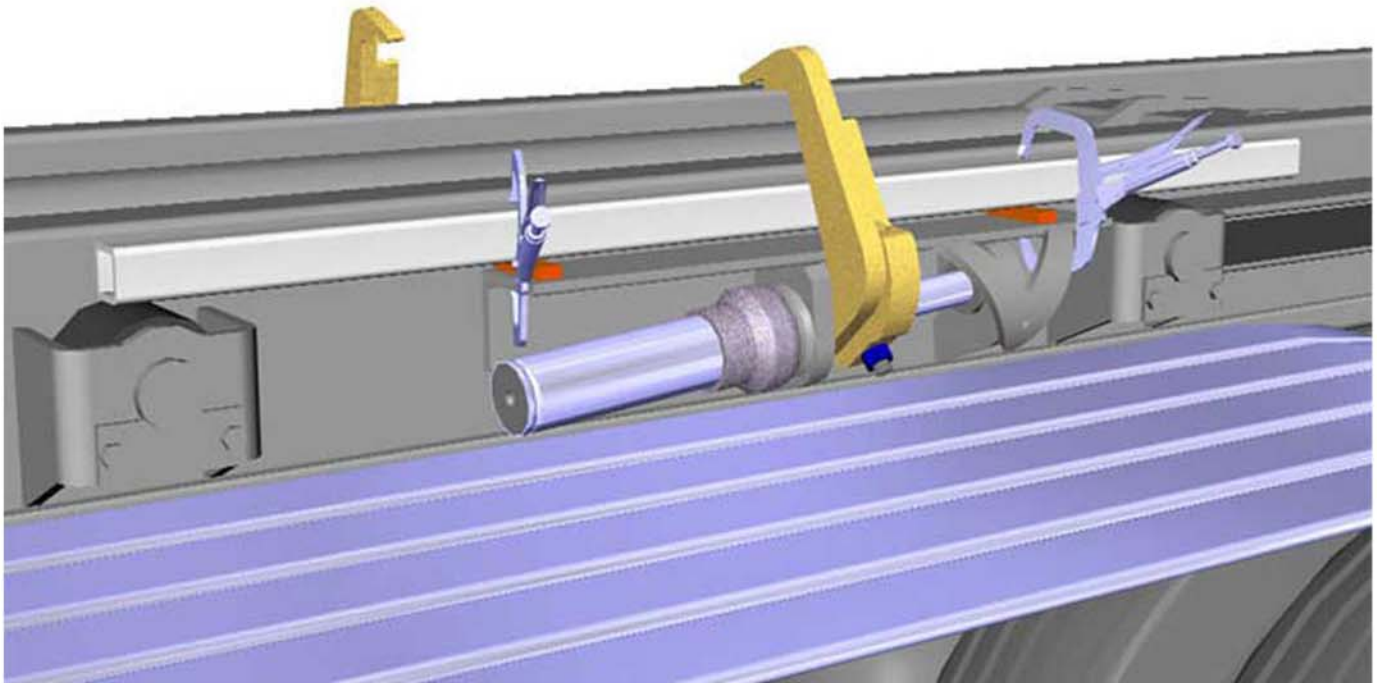




INSTALLATION IN 6 STEPS



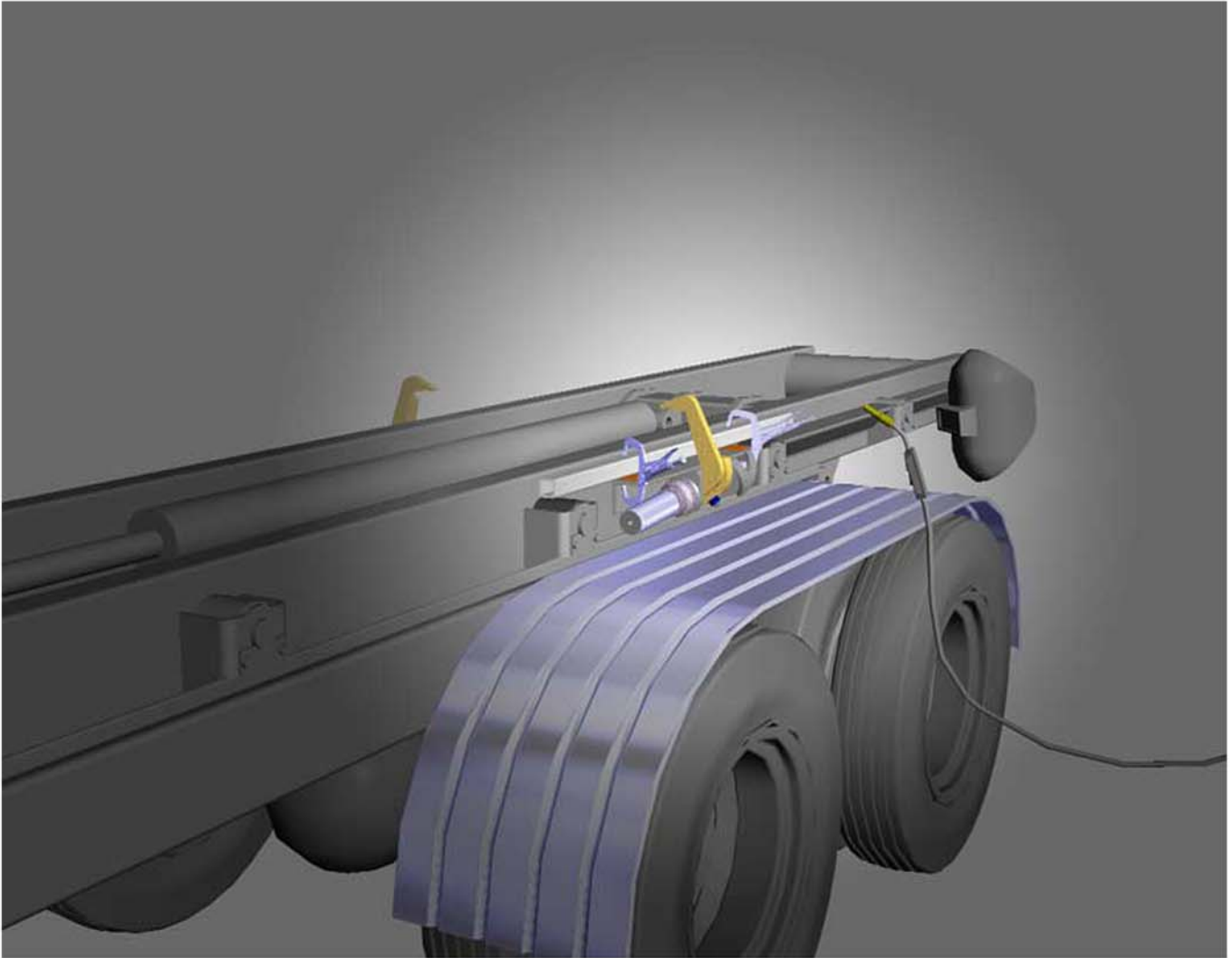
1. Attach the system against a solid bar with a 1/2" spacer.



2. Deposit the whole on the rollers by choosing the ideal place between the container crossmembers. Approach the system close to a roller to allow to dismantle the cylinder.



INSTALLATION IN 6 STEPS

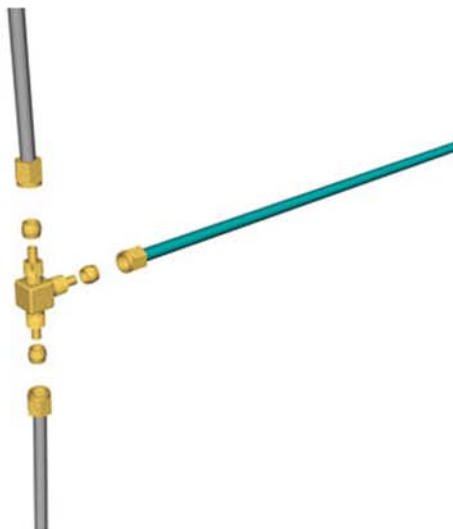
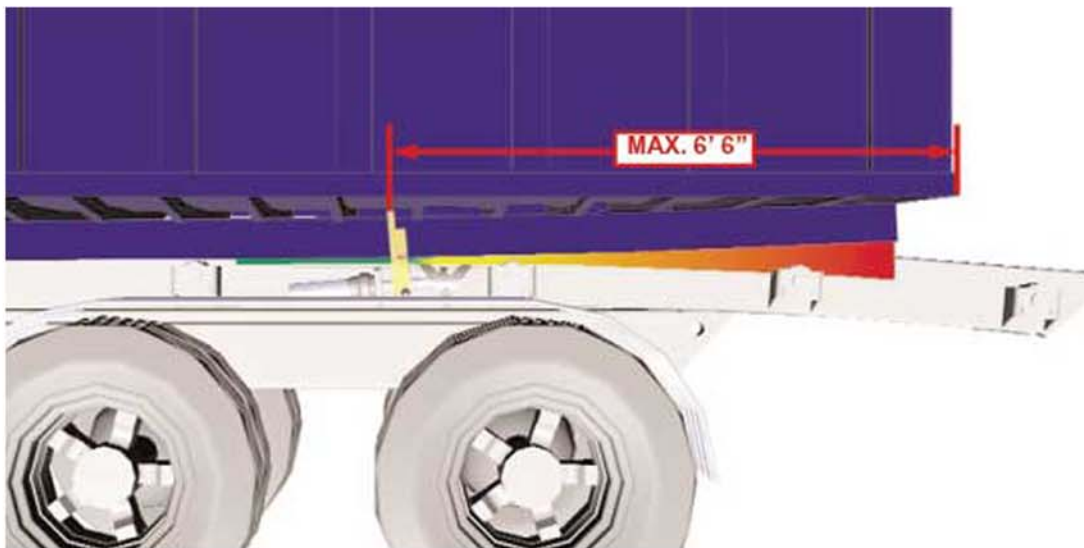


3. Weld the system against the mast.



INSTALLATION IN 6 STEPS

The law authorizes us a distance from 6' 6 " of the end of the container. It should be used with the maximum to avoid the area where the container and the mast deviate.



4. Connect the controlled valve to the line of ordering of the PTO. (led 1/4 ")
5. Connect the controlled valve to the nearest reserve.
6. Then connect the Automatic Locks.



INSTALLATION IN 6 STEPS

